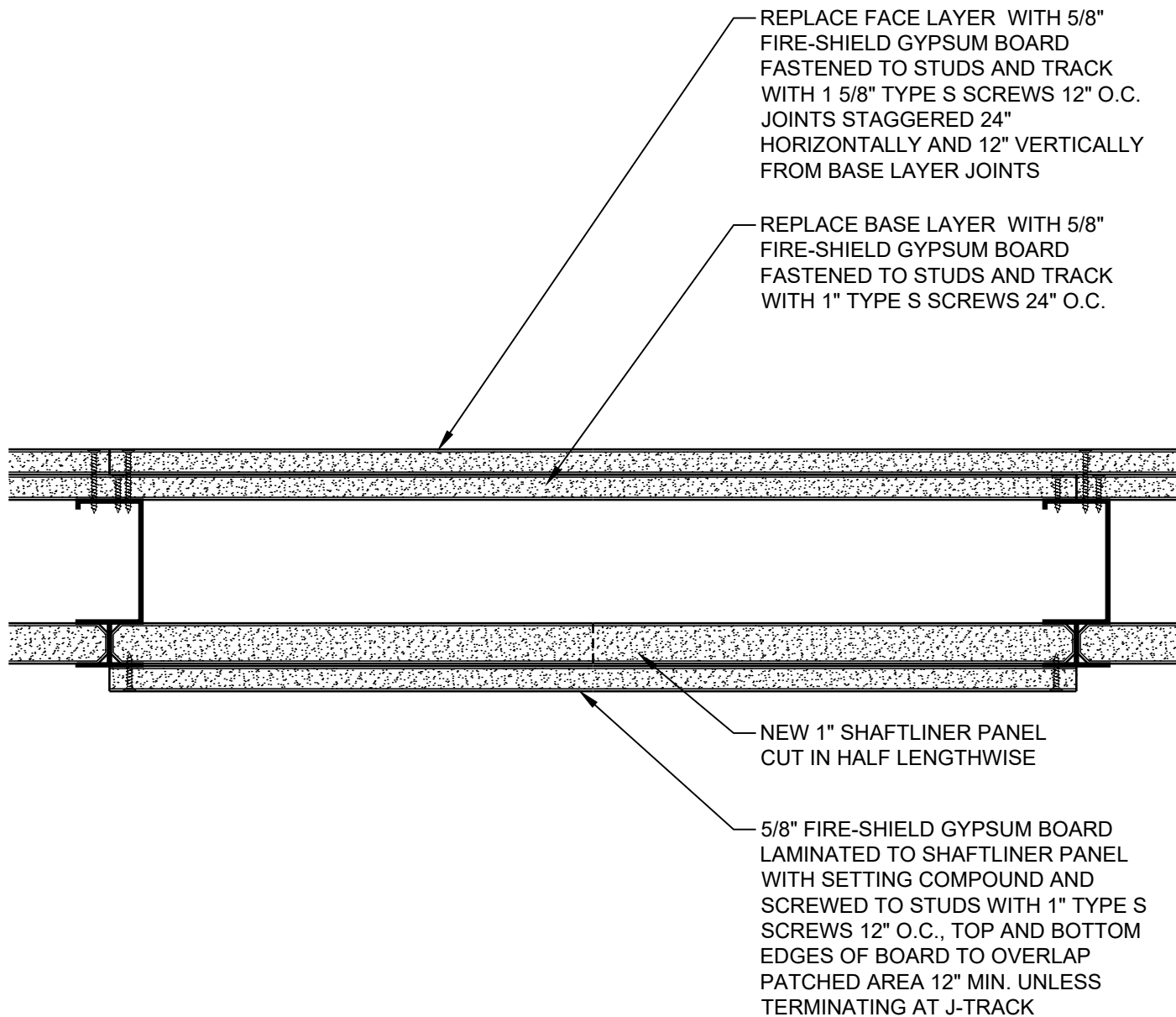
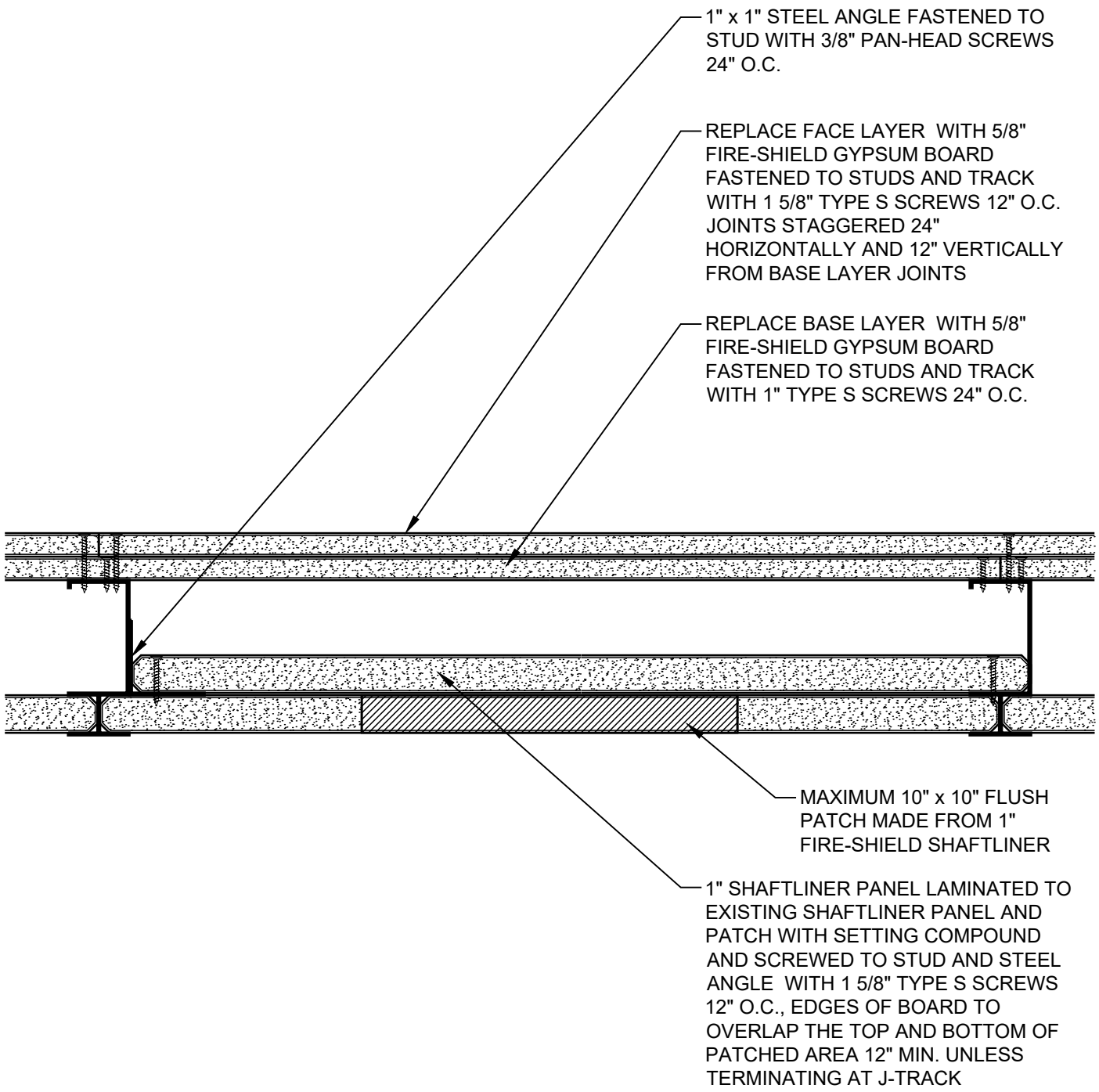


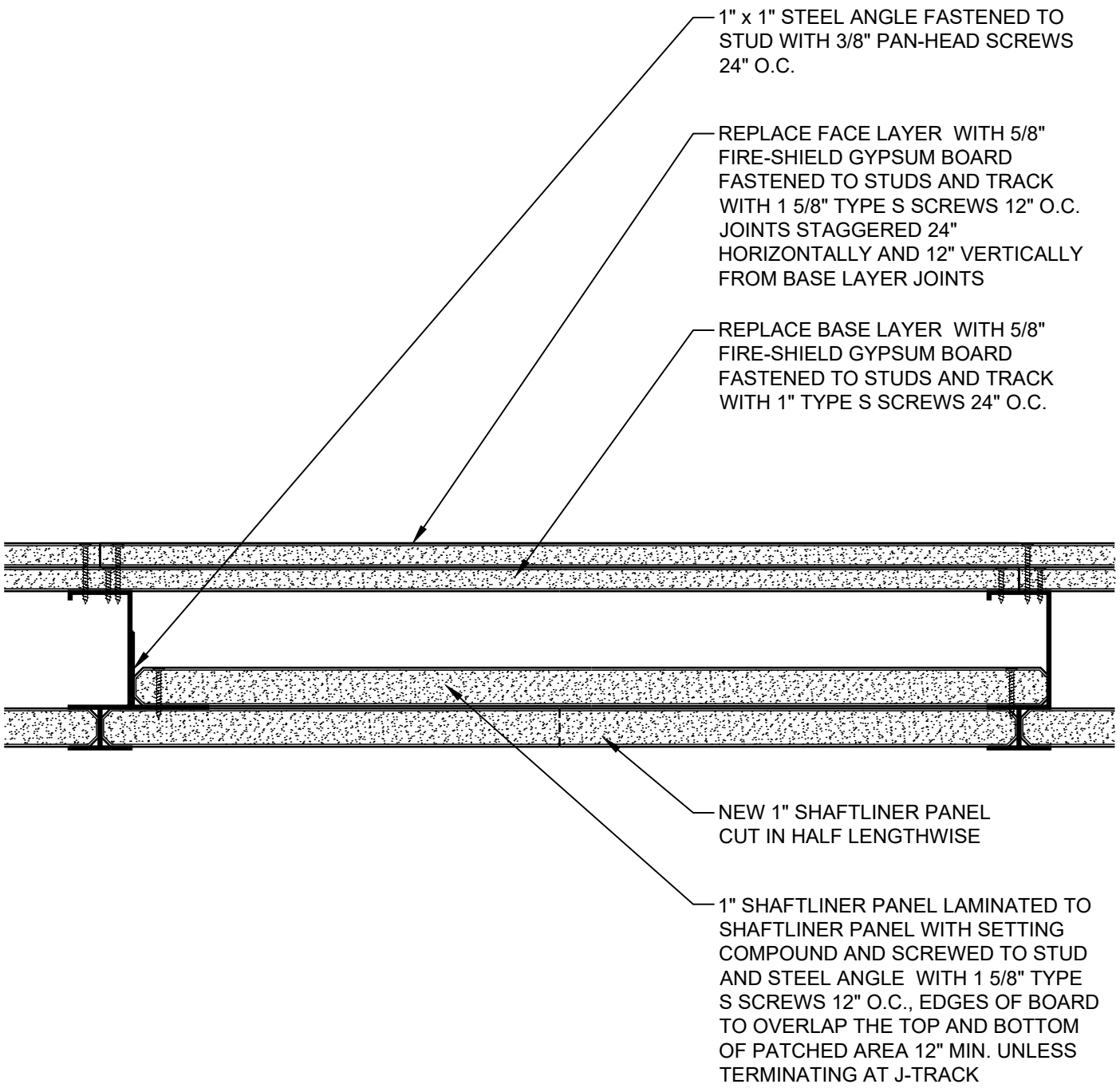
DATE: 09/01/18	2 HR SHAFTWALL REPAIR DETAIL	
SCALE: 3"=1'-0"	DETAIL: SR 101	



DATE: 09/01/18	2 HR SHAFTWALL REPAIR DETAIL	
SCALE: 3"=1'-0"	DETAIL: SR 102	



DATE: 09/01/18	2 HR SHAFTWALL REPAIR DETAIL	
SCALE: 3"=1'-0"	DETAIL: SR 103	



DATE: 09/01/18	2 HR SHAFTWALL REPAIR DETAIL	
SCALE: 3"=1'-0"	DETAIL: SR 104	