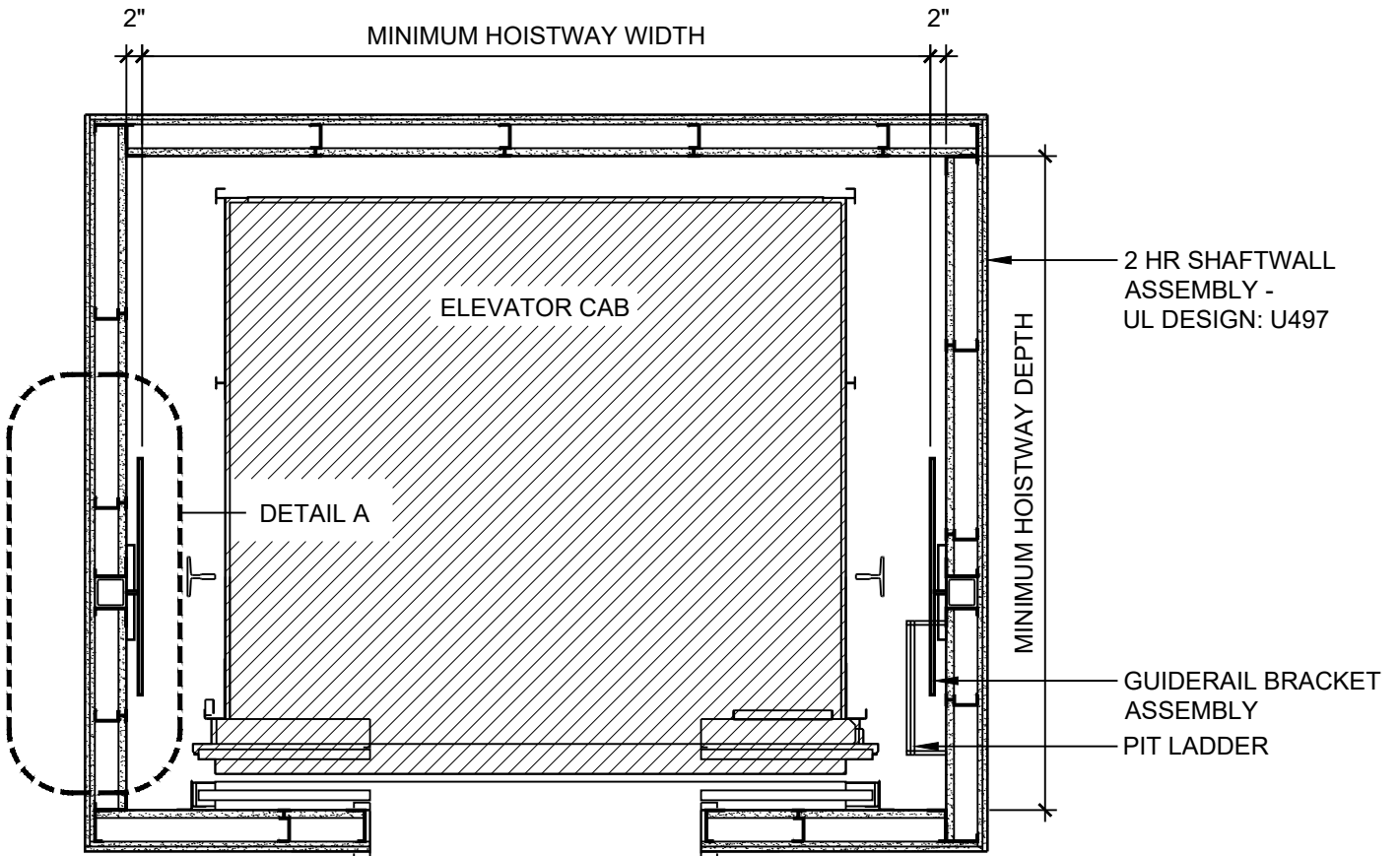
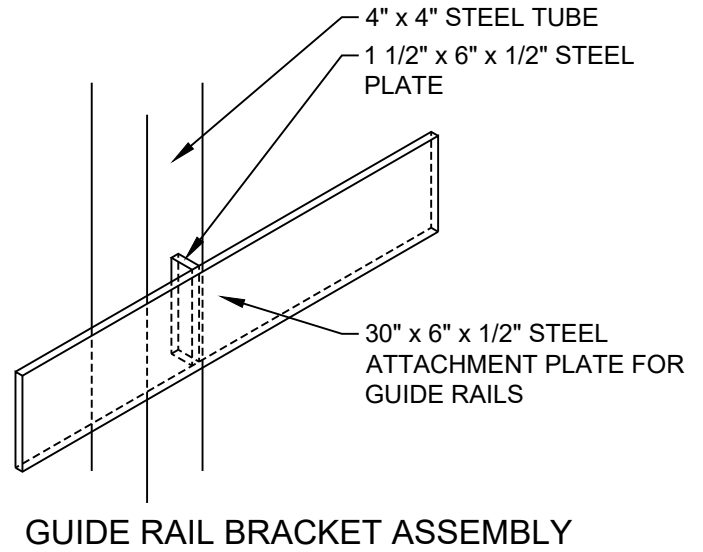
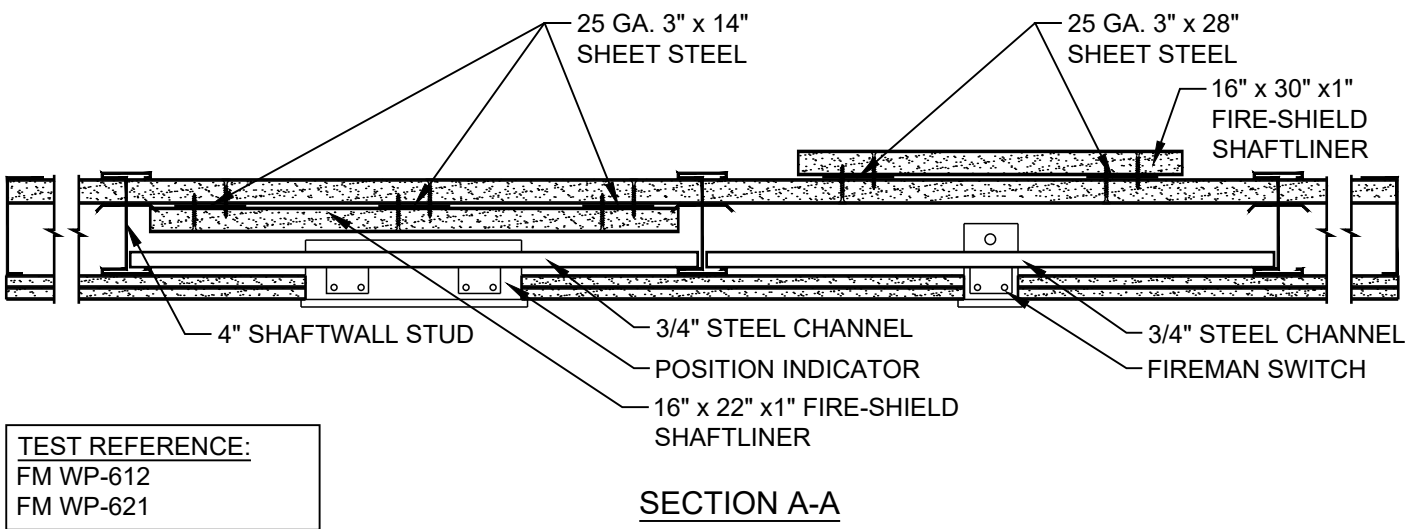
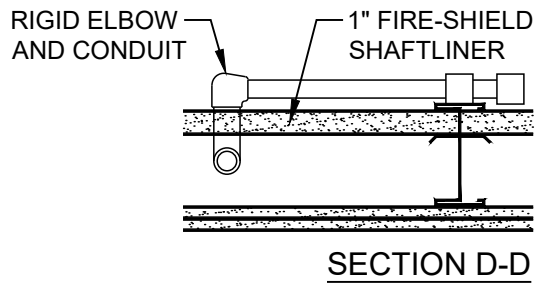
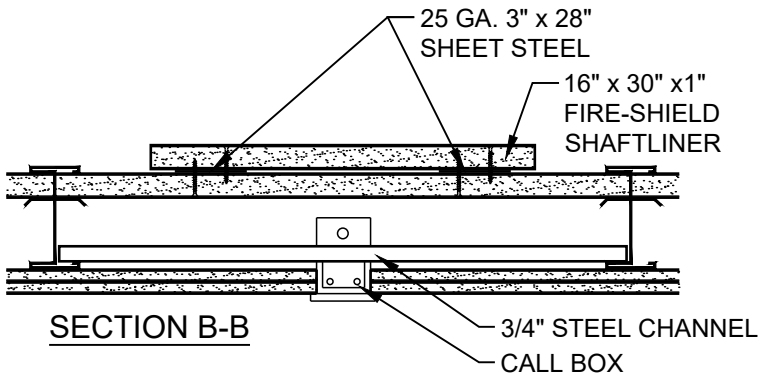
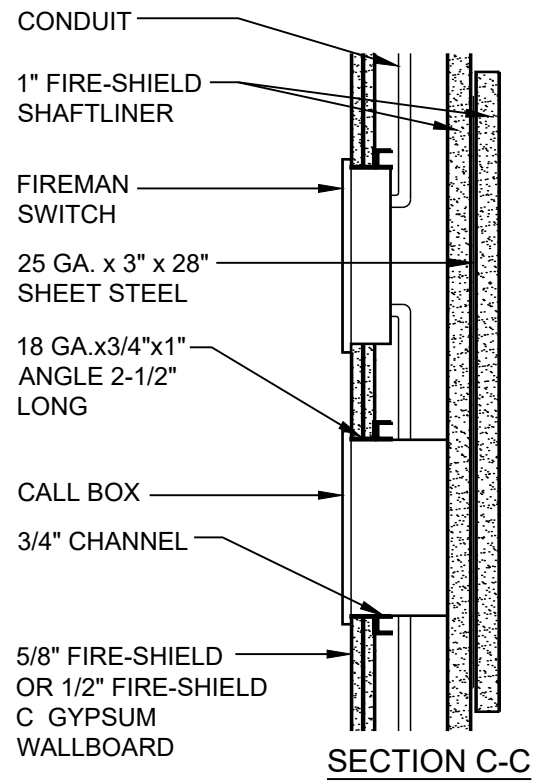
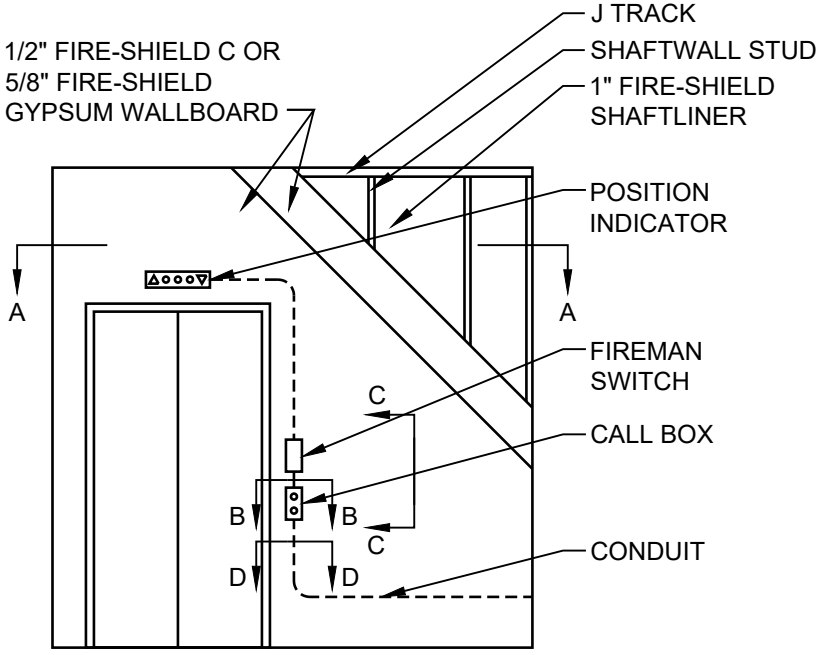


DETAIL A

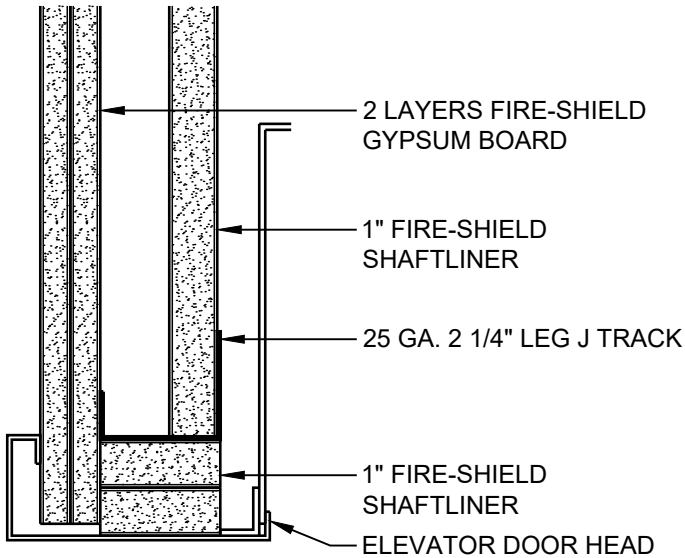


DATE: 09/01/18	ELEVATOR SHAFT ENCLOSURE PLAN	
SCALE: 1/2"=1'-0"	DETAIL: EV 101	

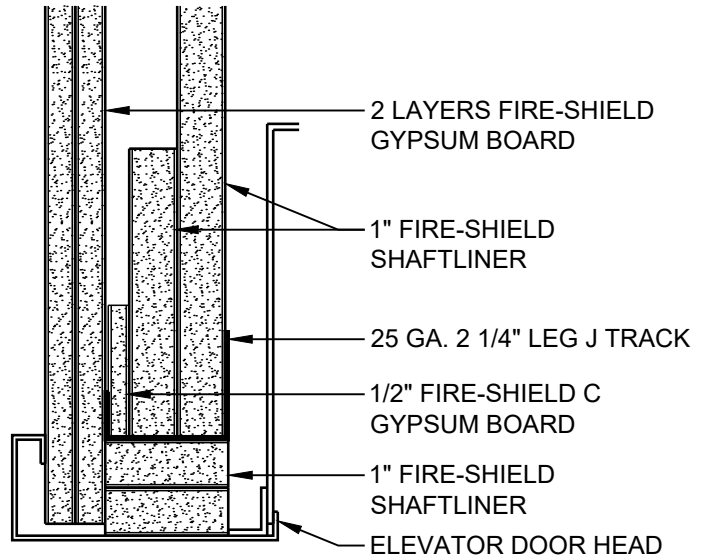


TEST REFERENCE:
FM WP-612
FM WP-621

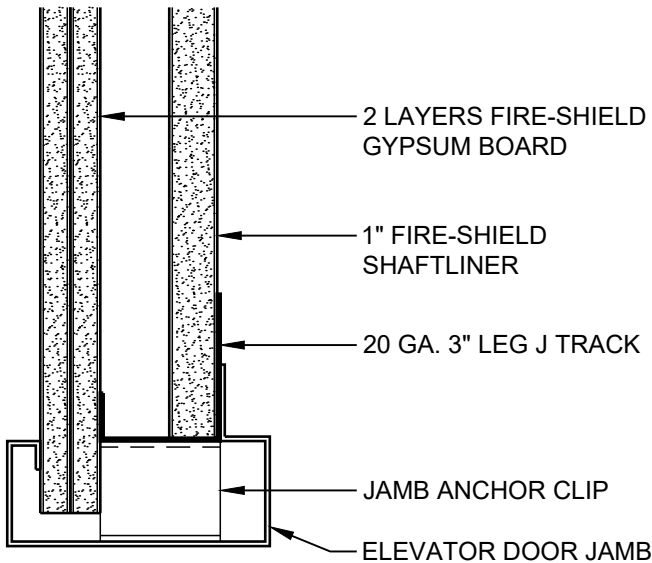
DATE: 09/01/18	POSITION INDICATOR AND CONTROL BOX PROTECTION IN ELEVATOR SHAFTWALL	
SCALE: 1 1/2"=1'-0"	DETAIL: EV 102	



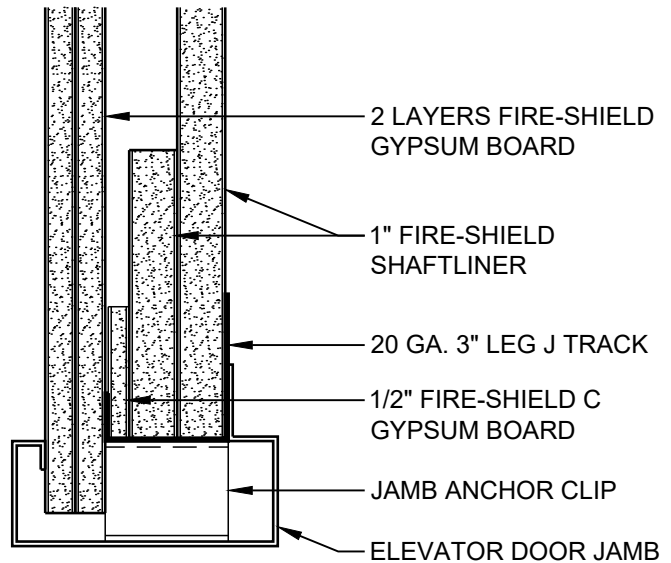
ELEVATOR DOOR HEAD



ELEVATOR DOOR HEAD
(FOR ELEVATOR DOORS > 7'-0")



ELEVATOR DOOR JAMB



ELEVATOR DOOR JAMB
(FOR ELEVATOR DOORS > 7'-0")

DATE: 09/01/18	ELEVATOR SHAFTWALL HEAD AND JAMB DETAILS	National Gypsum
SCALE: 3"=1'-0"		