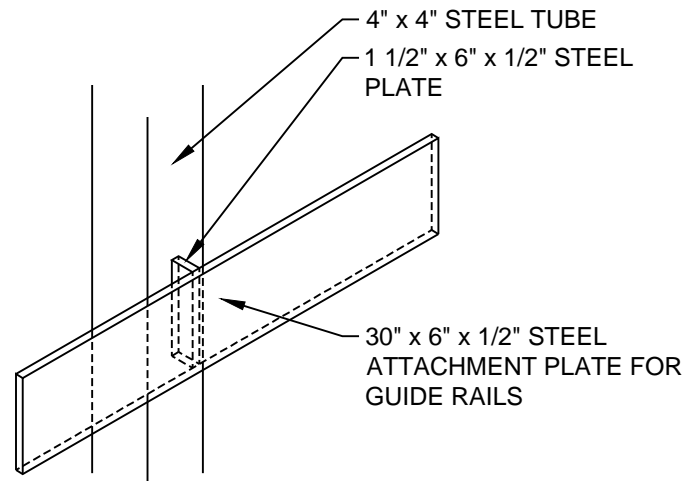
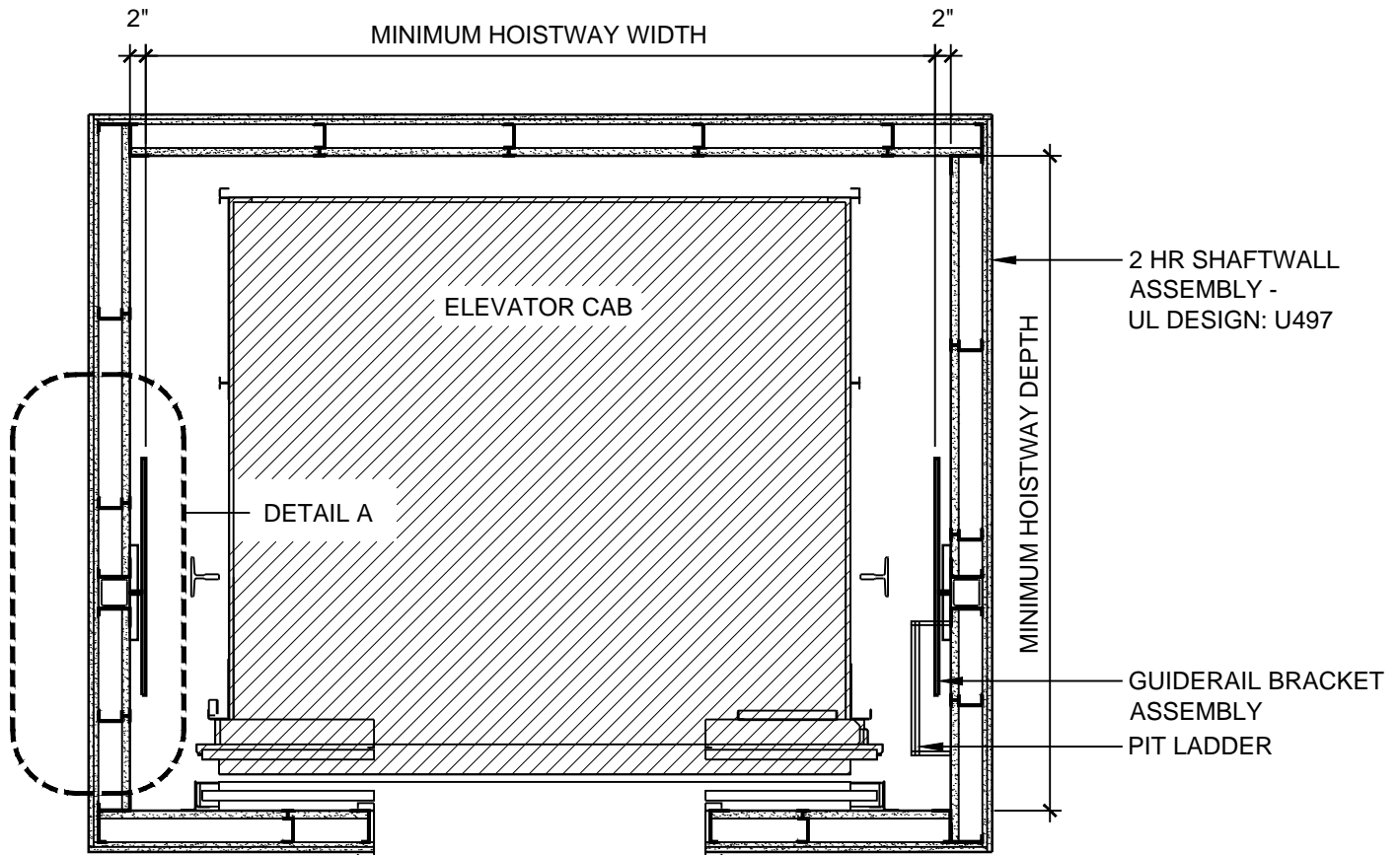


DETAIL A



GUIDE RAIL BRACKET ASSEMBLY



DATE: 11/05/13	ELEVATOR SHAFT ENCLOSURE PLAN	
SCALE: 1/2"=1'-0"	DETAIL: EV 101	