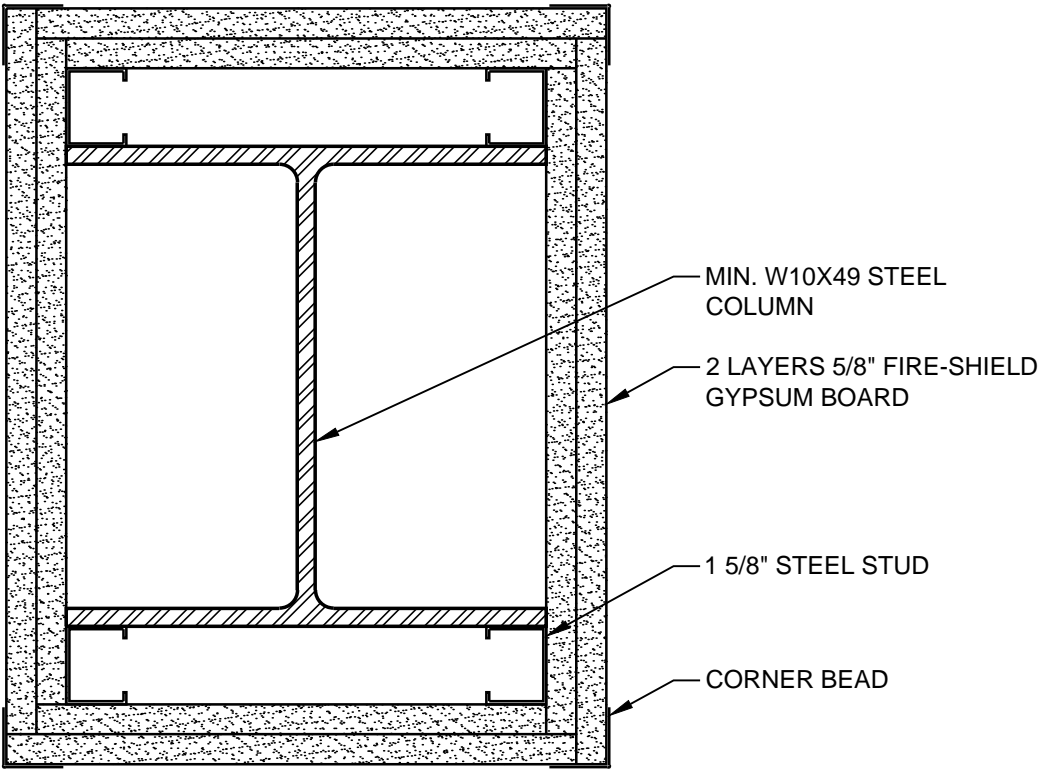


COLUMN - 2 HR
UL DESIGN: X528



DATE: 11/05/13
SCALE: 3"=1'-0"

2 HOUR RATED COLUMN
DETAIL: CL 201

