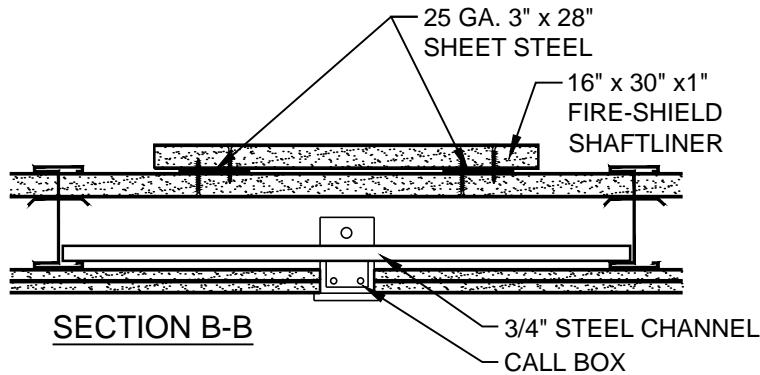
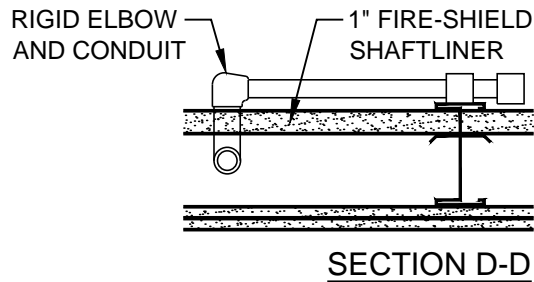


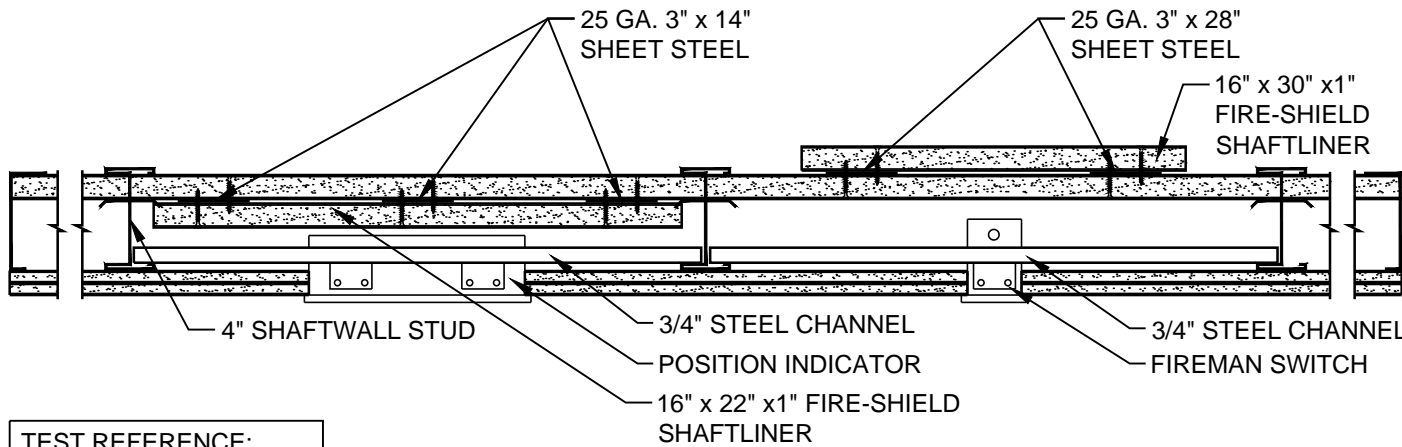
SECTION C-C



SECTION B-B



SECTION D-D



SECTION A-A

TEST REFERENCE:
 FM WP-612
 FM WP-621

DATE: 11/05/13
 SCALE: 1 1/2"=1'-0"

POSITION INDICATOR AND CONTROL BOX PROTECTION
 IN ELEVATOR SHAFTWALL
 DETAIL: EV 102

